

Ställringar DIN 705 rostfritt stål, Form A, slits

Artikelbeskrivning/produktbilder



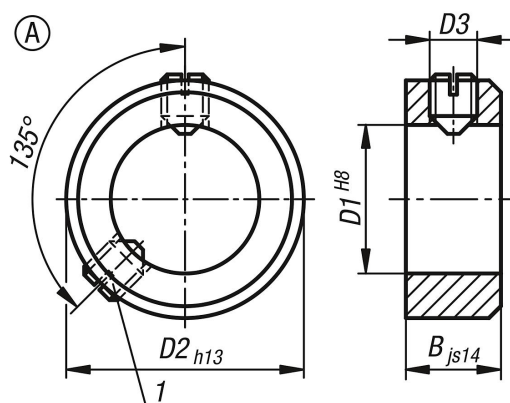
Beskrivning

Material:
Rostfritt stål 1.4305.

Utförande:
Blank.

Ritningsinformation:
1) Andra gängstiftet fr.o.m. $D1 \geq 75$

Ritningar



Artikelöversikt

| Beställningsnr. | Form | Material komponent | D1 | B | D2 | D3 Gängstift |
|-----------------|------|--------------------|----|----|----|--------------|
| K0406.100302 | A | rostfritt stål | 3 | 5 | 7 | M2x3 |
| K0406.100402 | A | rostfritt stål | 4 | 5 | 8 | M2,5x3 |
| K0406.100502 | A | rostfritt stål | 5 | 6 | 10 | M3x4 |
| K0406.100602 | A | rostfritt stål | 6 | 8 | 12 | M4x5 |
| K0406.100702 | A | rostfritt stål | 7 | 8 | 12 | M4x5 |
| K0406.100802 | A | rostfritt stål | 8 | 8 | 16 | M4x6 |
| K0406.100902 | A | rostfritt stål | 9 | 10 | 18 | M5x8 |
| K0406.101002 | A | rostfritt stål | 10 | 10 | 20 | M5x8 |
| K0406.101102 | A | rostfritt stål | 11 | 10 | 20 | M5x8 |
| K0406.101202 | A | rostfritt stål | 12 | 12 | 22 | M6x8 |
| K0406.101402 | A | rostfritt stål | 14 | 12 | 25 | M6x8 |
| K0406.101502 | A | rostfritt stål | 15 | 12 | 25 | M6x8 |
| K0406.101602 | A | rostfritt stål | 16 | 12 | 28 | M6x8 |
| K0406.101802 | A | rostfritt stål | 18 | 14 | 32 | M6x8 |
| K0406.102002 | A | rostfritt stål | 20 | 14 | 32 | M6x8 |
| K0406.102402 | A | rostfritt stål | 24 | 16 | 40 | M8x12 |

Ställringar DIN 705 rostfritt stål, Form A, slits

Artikelöversikt

| Beställningsnr. | Form | Material komponent | D1 | B | D2 | D3 Gångstift |
|-----------------|------|--------------------|-----|----|-----|--------------|
| K0406.102502 | A | rostfritt stål | 25 | 16 | 40 | M8x10 |
| K0406.102602 | A | rostfritt stål | 26 | 16 | 40 | M8x10 |
| K0406.102802 | A | rostfritt stål | 28 | 16 | 45 | M8x12 |
| K0406.103002 | A | rostfritt stål | 30 | 16 | 45 | M8x10 |
| K0406.103202 | A | rostfritt stål | 32 | 16 | 50 | M8x12 |
| K0406.103502 | A | rostfritt stål | 35 | 16 | 56 | M8x12 |
| K0406.103602 | A | rostfritt stål | 36 | 16 | 56 | M8x12 |
| K0406.103802 | A | rostfritt stål | 38 | 16 | 56 | M8x12 |
| K0406.104002 | A | rostfritt stål | 40 | 18 | 63 | M10x16 |
| K0406.104202 | A | rostfritt stål | 42 | 18 | 63 | M10x16 |
| K0406.104502 | A | rostfritt stål | 45 | 18 | 70 | M10x16 |
| K0406.104802 | A | rostfritt stål | 48 | 18 | 70 | M10x16 |
| K0406.105002 | A | rostfritt stål | 50 | 18 | 80 | M10x16 |
| K0406.105202 | A | rostfritt stål | 52 | 18 | 80 | M10x16 |
| K0406.105502 | A | rostfritt stål | 55 | 18 | 80 | M10x16 |
| K0406.105602 | A | rostfritt stål | 56 | 18 | 80 | M10x16 |
| K0406.105802 | A | rostfritt stål | 58 | 20 | 90 | M10x16 |
| K0406.106002 | A | rostfritt stål | 60 | 20 | 90 | M10x16 |
| K0406.106302 | A | rostfritt stål | 63 | 20 | 90 | M10x16 |
| K0406.106502 | A | rostfritt stål | 65 | 20 | 100 | M10x20 |
| K0406.106802 | A | rostfritt stål | 68 | 20 | 100 | M10x20 |
| K0406.107002 | A | rostfritt stål | 70 | 20 | 100 | M10x20 |
| K0406.107202 | A | rostfritt stål | 72 | 20 | 100 | M10x20 |
| K0406.107502 | A | rostfritt stål | 75 | 22 | 110 | M12x20 |
| K0406.108002 | A | rostfritt stål | 80 | 22 | 110 | M12x20 |
| K0406.108502 | A | rostfritt stål | 85 | 22 | 125 | M12x25 |
| K0406.109002 | A | rostfritt stål | 90 | 22 | 125 | M12x20 |
| K0406.110002 | A | rostfritt stål | 100 | 25 | 140 | M12x25 |